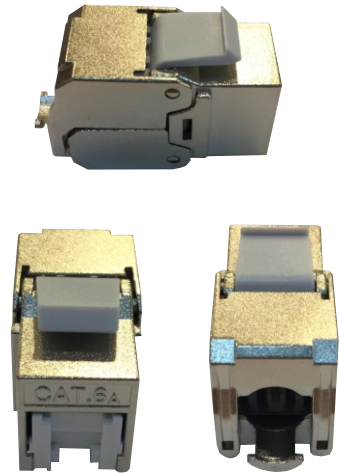


Ahlio Jack RJ45 Cat6A STP

Specification :

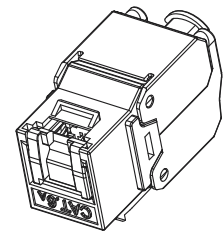
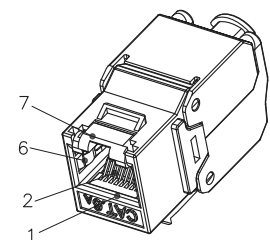
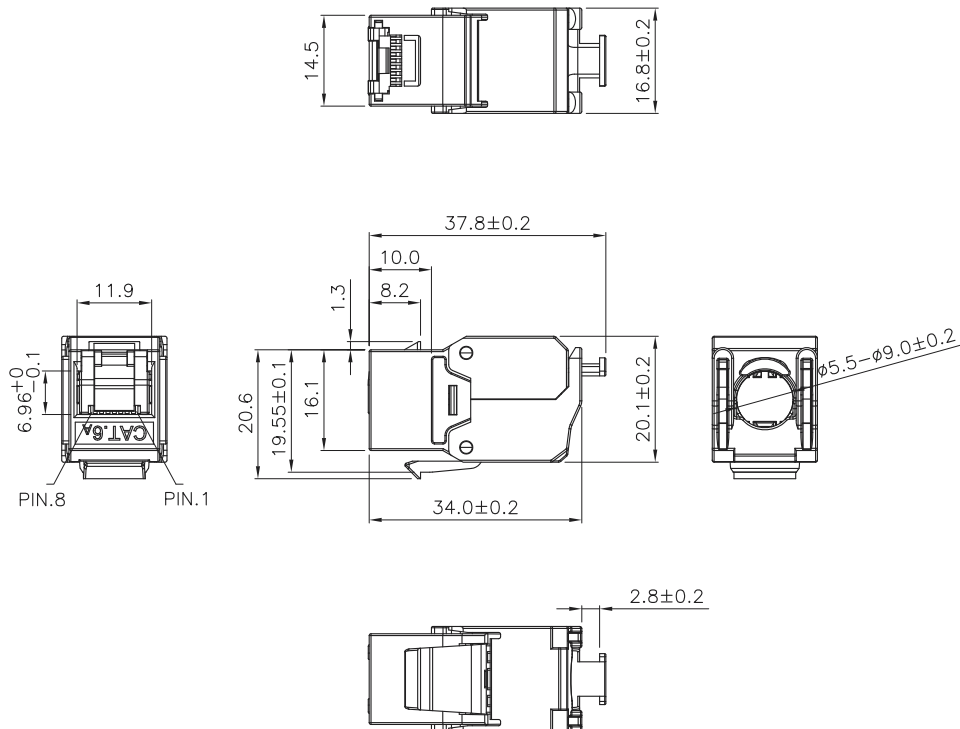
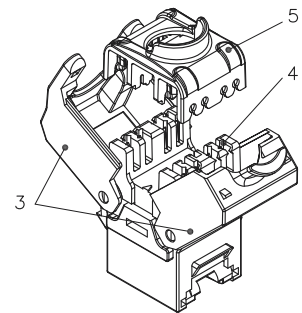
Material :

1. RJ45 Jack :
 - 1-1. Housing : Zinc die-casting with nickel plated.
 - 1-2. Contact Bracket : PC, UL 94-V2, transparent color.
2. RJ45 Jack Contact :
 - 2-1. Material : Phosphor bronze with nickel plated.
 - 2-2. Finish : 50 micro-inch gold plated on plug contact area.
3. Cap A&B : Zinc die-casting with nickel plated.
4. IDC :
 - 4-1. Housing : PC, grey color(RAL7035), UL 94-V2.
 - 4-2. Terminal : Phosphor bronze with tin plated.
5. Cap : PC, white color, UL 94-V2.
6. Clip : Stainless steel.
7. Shutter : ABS+PC, UL 94V-0, white color.
8. PCB : FR4, UL 94-V0.



Performance :

- a. T568A & T568B wiring.
- b. Insertion Force : 30N max. (IEC 60603-7-5).
- c. Retention Strength : 7.7 kg between jack and plug.
- d. Operating Temperature : -10°C to 60°C. (ISO/IEC 11801, ANSI/TIA 568 C.2).
- e. Life(mating cycles) :
 - e-1. Jack : 750 cycles min. (ISO/IEC 11801, IEC 60603-7-5).
 - e-2. IDC : Suitable for 23-26 AWG stranded and solid wire.
- f. The Cat.6A transmission performance is in compliance with the ANSI/TIA 568 C.2 standard.



CODE	DESCRIPTION
20119	Ahlio Jack RJ45 Cat6A STP